

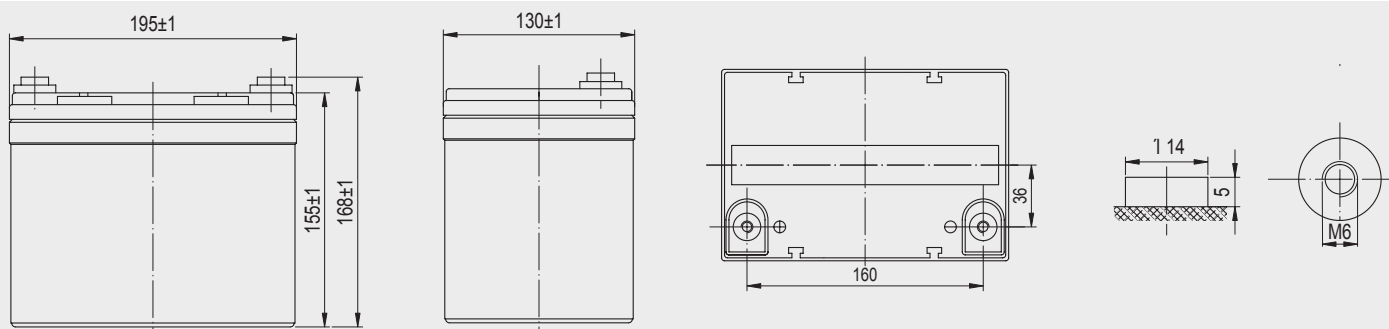


VRLA Battery **SPHR 12-165W**

| | | | | | | |
|-----------------------|--|--------------------------------|--------------------------------|-------------------------------|------------------------------|------------------------------|
| Specifications | Nominal Voltage | 12 V | | | | |
| | Rated Capacity (20 °C) | 10min Rate (1,60V/cell) | 15min Rate (1,60V/cell) | 10hr Rate (1,80V/cell) | 5hr Rate (1,70V/cell) | 1hr Rate (1,60V/cell) |
| | | 165 W/cell | 125 W/cell | 35 Ah | 31,3 Ah | 25,8 Ah |
| | Dimensions (mm) & Weight (kg) | Length | Width | Height | Overall Height | Weight |
| | | 195mm | 130mm | 155mm | 168mm | 11,70 kg |
| | Number / Type of Terminals | 2 / M6 | | | | |

Technical Characteristics

| | |
|--|---|
| Design Life at 20°C | 10 years |
| Internal Resistance (Fully charged - 20 °C) | 6,7 mΩ |
| Short-circuit current | 1150 A |
| Max Charging Current | 9,9 A |
| Min safe end Discharge Voltage | 1,60 V/cell |
| Self discharge per month at 20°C | 3% |
| Recommended Charging Voltage at 20°C | Stand-by use (V/cell): 2,25 to 2,30 Cycle use (V/cell): 2,40 to 2,45 |
| Container Material | ABS-UL94 HB |
| Electrolyte Type | Sulfuric Acid |
| Type of plates / Alloy | Flat plates / Lead-Calcium-Tin alloy |
| Type of Separator | Absorbant Glass Mat |
| Valve Type / Operational Pressure | Rubber / 1-3 psi (70-200 mbar) |
| Operating Temperature Range | -20 to +50°C |
| Storage time at 20°C | 9 months |



SYSTEMS SUNLIGHT S.A.

Headquarters

23rd klm. National Road Athens-Lamia
145 65 Ag. Stefanos Attica, Greece
Tel.: +30 210 6245400
Fax: +30 210 6245409

Manufacturing Plant

Neo Olvio
67 200 Xanthi, Greece
Tel.: +30 25410 48100
Fax: +30 25410 95446

 **SUNLIGHT**
creating energy

www.sunlight.gr