



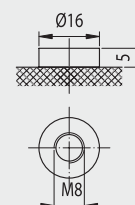
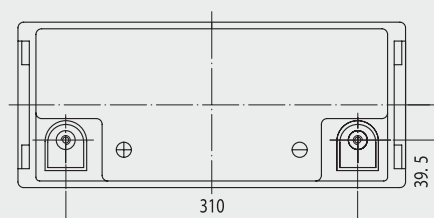
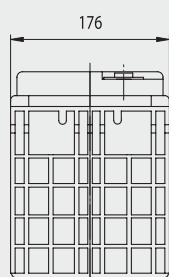
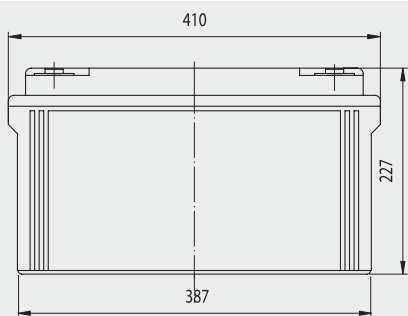
VRLA Battery **SPB 12-120**

Specifications

Nominal Voltage	12 V				
Rated Capacity (25 °C)	20hr Rate (1,80V/cell)	10hr Rate (1,80V/cell)	5hr Rate (1,70V/cell)	1hr Rate (1,60V/cell)	
	124 Ah	120 Ah	101,5 Ah	72,7 Ah	
Dimensions (mm) & Weight (kg)	Length	Width	Height	Overall Height	Weight
	410mm	176mm	227mm	227mm	38 kg
Number / Type of Terminals	2 / M8				

Technical Characteristics

Design Life at 20°C	10-12 years
Eurobat Classification	High Performance
Internal Resistance (Fully charged - 25°C)	4,3 mΩ
Short-circuit current	2250 A
Max Charging Current	36 A
Min safe end Discharge Voltage	1,60 V/cell
Self discharge per month at 20°C	3%
Recommended Charging Voltage at 20°C	Stand-by use (V/cell): 2,25 to 2,30 Cycle use (V/cell): 2,40 to 2,50
Container Material	ABS-UL94 HB
Electrolyte Type	Sulfuric Acid
Type of plates / Alloy	Flat plates / Lead-Calcium-Tin alloy
Type of Separator	Absorbant Glass Mat
Valve Type / Operational Pressure	Rubber / 1-3 psi (70-200 mbar)
Operating Temperature Range	-20 to + 50@C
Storage time at 20°C	9 months



SUNLIGHT SYSTEMS S.A.

Headquarters

23rd km. N.R. Athens-Lamia
145 65 Ag. Stefanos, Attica, Greece
Tel.: +30 210 6242000
Fax : +30 210 6216911

Manufacturing Plant

Neo Olvio
67 200 Xanthi, Greece
Tel.: +30 25410 48100
Fax : +30 25410 95446

 **SUNLIGHT**
creating energy
www.sunlight.gr