



VRLA Battery **SPA 8-3.2**

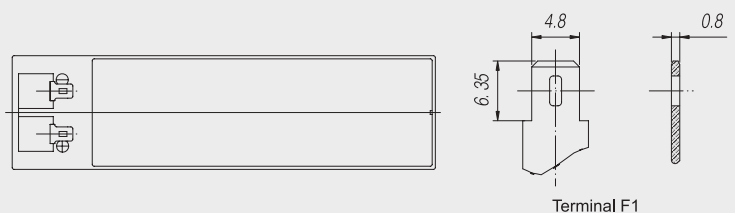
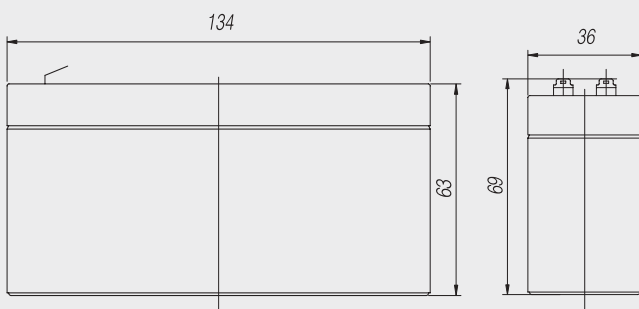
Specifications

Nominal Voltage 8 V

Rated Capacity (25 °C)	20hr Rate (1,80V/cell)	10hr Rate (1,80V/cell)	5hr Rate (1,70V/cell)	1hr Rate (1,60V/cell)	
	3,2 Ah	3,1 Ah	3,0 Ah	2,2 Ah	
Dimensions (mm) & Weight (kg)	Length	Width	Height	Overall Height	Weight
	134mm	36mm	63mm	69mm	0,80kg
Number / Type of Terminals 2 / F1					

Technical Characteristics

Design Life at 20°C	5 years
Eurobat Classification	Standard Commercial
Internal Resistance (Fully charged - 25°C)	33 mΩ
Short-circuit current	160 A
Max Charging Current	1,28 A
Min safe end Discharge Voltage	1,60 V/cell
Self discharge per month at 20°C	3%
Recommended Charging Voltage at 20°C	Stand-by use (V/cell): 2,25 to 2,30 Cycle use (V/cell): 2,40 to 2,50
Container Material	ABS-UL94 HB
Electrolyte Type	Sulfuric Acid
Type of plates / Alloy	Flat plates / Lead-Calcium-Tin alloy
Type of Separator	Absorbant Glass Mat
Valve Type / Operational Pressure	Rubber / 1-3 psi (70-200 mbar)
Operating Temperature Range	-20 to +50°C
Storage time at 20°C	9 months



GERMANOS S.A.
23rd klm. National Road Athens-Lamia
145 65 Ag. Stefanos Attica, Greece
Tel.: +30 210 6242000
Fax: +30 210 6216911

SUNLIGHT Manufacturing Plant
Neo Olvio
67 200 Xanthi, Greece
Tel.: +30 25410 48100
Fax: +30 25410 95446

 **SUNLIGHT**
creating energy
www.sunlight.gr