



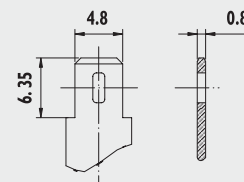
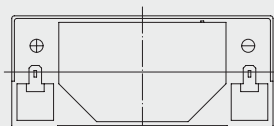
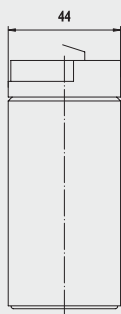
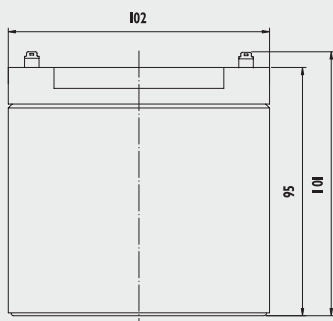
VRLA Battery **SPA 4-9.5**

Specifications

Nominal Voltage	4 V				
Rated Capacity (25 °C)	20hr Rate (1,80V/cell)	10hr Rate (1,80V/cell)	5hr Rate (1,70V/cell)	1hr Rate (1,60V/cell)	
	9,5 Ah	9,0 Ah	8,0 Ah	6,8 Ah	
Dimensions (mm)	Length	Width	Height	Overall Height	Weight
& Weight (kg)	102mm	44mm	95mm	101mm	1kg
Number / Type of Terminals	2 / F1				

Technical Characteristics

Design Life at 20°C	5 years
Eurobat Classification	Standard Commercial
Internal Resistance (Fully charged - 25°C)	8 mΩ
Short-circuit current	475 A
Max Charging Current	3,80 A
Min safe end Discharge Voltage	1,60 V/cell
Self discharge per month at 20°C	3%
Recommended Charging Voltage at 20°C	Stand-by use (V/cell): 2,25 to 2,30 Cycle use (V/cell): 2,40 to 2,50
Container Material	ABS-UL94 HB
Electrolyte Type	Sulfuric Acid
Type of plates / Alloy	Flat plates / Lead-Calcium-Tin alloy
Type of Separator	Absorbant Glass Mat
Valve Type / Operational Pressure	Rubber / 1-3 psi (70-200 mbar)
Operating Temperature Range	-20 to +50°C
Storage time at 20°C	9 months



Terminal F1

SUNLIGHT SYSTEMS S.A.
Headquarters
 23rd km. N.R. Athens-Lamia
 145 65 Ag. Stefanos, Attica, Greece
 Tel.: +30 210 6242000
 Fax : +30 210 6216911

Manufacturing Plant
 Neo Olvio
 67 200 Xanthi, Greece
 Tel.: +30 25410 48100
 Fax : +30 25410 95446

 **SUNLIGHT**
 creating energy
www.sunlight.gr