

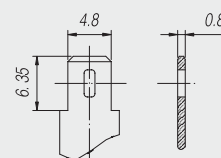
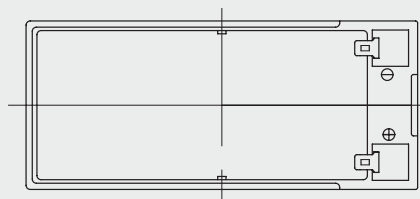
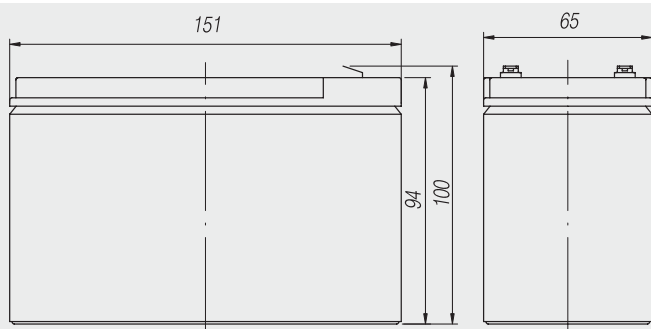


# VRLA Battery **SPA 12-7**

<b>Specifications</b>	<b>Nominal Voltage</b>	12 V				
	<b>Rated Capacity (25 °C)</b>	<b>20hr Rate (1,80V/cell)</b>	<b>10hr Rate (1,80V/cell)</b>	<b>5hr Rate (1,70V/cell)</b>	<b>1hr Rate (1,60V/cell)</b>	
		7 Ah	6,4 Ah	5,5 Ah	4,66 Ah	
	<b>Dimensions (mm) &amp; Weight (kg)</b>	<b>Length</b>	<b>Width</b>	<b>Height</b>	<b>Overall Height</b>	<b>Weight</b>
		151mm	65mm	94mm	100mm	2,43kg
	<b>Number / Type of Terminals</b>	2 / F1				

## Technical Characteristics

<b>Design Life at 20°C</b>	5 years
<b>Eurobat Classification</b>	Standard Commercial
<b>Internal Resistance (Fully charged - 25°C)</b>	28 mΩ
<b>Short-circuit current</b>	350 A
<b>Max Charging Current</b>	2,8 A
<b>Min safe end Discharge Voltage</b>	1,60 V/cell
<b>Self discharge per month at 20°C</b>	3%
<b>Recommended Charging Voltage at 20°C</b>	Stand-by use (V/cell): 2,25 to 2,30 Cycle use (V/cell): 2,40 to 2,50
<b>Container Material</b>	ABS-UL94 HB
<b>Electrolyte Type</b>	Sulfuric Acid
<b>Type of plates / Alloy</b>	Flat plates / Lead-Calcium-Tin alloy
<b>Type of Separator</b>	Absorbant Glass Mat
<b>Valve Type / Operational Pressure</b>	Rubber / 1-3 psi (70-200 mbar)
<b>Operating Temperature Range</b>	-20 to +50°C
<b>Storage time at 20°C</b>	9 months



Terminal F1

**SUNLIGHT SYSTEMS S.A.**  
**Headquarters**  
 23rd km. N.R. Athens-Lamia  
 145 65 Ag. Stefanos, Attica, Greece  
 Tel.: +30 210 6242000  
 Fax : +30 210 6216911

**Manufacturing Plant**  
 Neo Olvio  
 67 200 Xanthi, Greece  
 Tel.: +30 25410 48100  
 Fax : +30 25410 95446

 **SUNLIGHT**  
 creating energy  
[www.sunlight.gr](http://www.sunlight.gr)