



SBLFT 55-12i

12V 55Ah

Front Access Terminal

SBLFT 55-12i is a High Performance battery with 12 years in standby service or more than 350 cycles at 50% depth of discharge in cycle service.

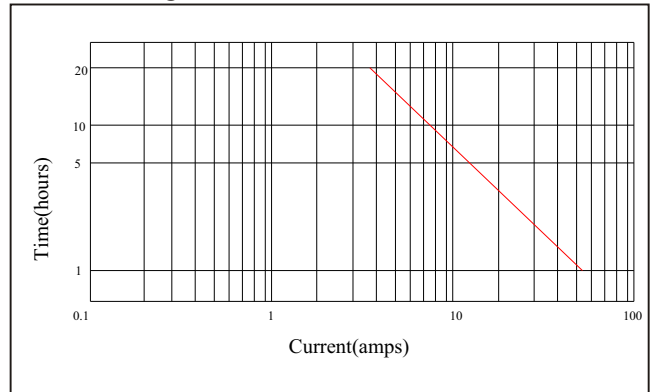
☆ SPECIFICATION

● NOMINAL VOLTAGE	: 12V
● NOMINAL CAPACITY(20 hr)	: 55Ah
● DIMENSIONS	
TOTAL HEIGHT	:222 mm (8.74 inches)
CONTAINER HEIGHT	: 222 mm (8.74inches)
LENGTH	: 277 mm (10.91 inches)
WIDTH	: 106 mm (4.17 inches)
● WEIGHT	: APPROX 18Kg (39.69 lbs)
● CONTAINER MATERIAL	: UL94HB ABS
	: UL94V-0 ABS
● INTERNAL RESISTANCE(25°C , 77 °F)	: ~6m
● DISCHARGE CAPACITY UNDER DIFFERENT TEMPERATURES	
40°C	: ~102%
25°C	: ~100%
0 °C	: ~85%

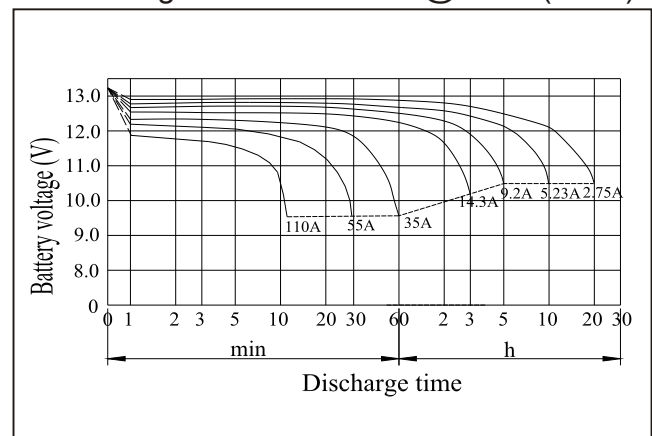
☆ CHARACTERISTICS

● CAPACITY 25°C/77°F	
20hr @ 2.75A	:55 Ah
5hr @ 9.2A	:46 Ah
1hr @ 35A	:35 Ah
1C @ 55A	:27.5 Ah
● CAPACITY 25°C/77°F	
STANDBY USE	:13.65V±0.15V
CYCLE USE	:14.7V ± 0.3V
● MAX DISCHARGE CURRENT	:550A (5sec)
● MAX CHARGING CURRENT	:16.5A
● SELF-DISCHARGE RESIDUAL CAPACITY	
AFTER 3 MONTHS	:~90%
AFTER 6 MONTHS	:~82%
AFTER 12 MONTHS	:~70%

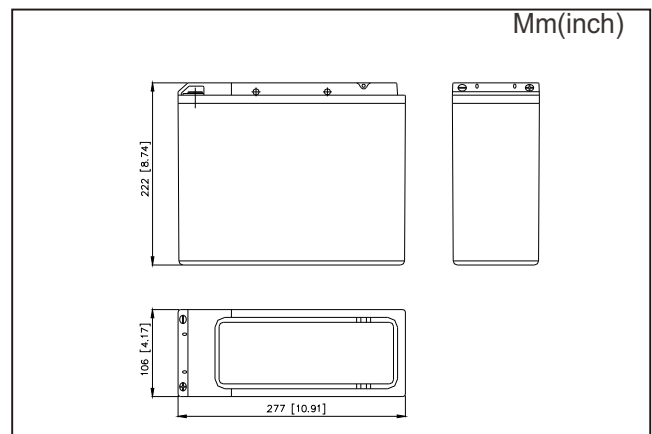
☆ Discharge Current vs Time



☆ Discharge Characteristics @25 °C (77 °F)



☆ Dimensions



☆ Terminal

