



SBLFT 110-12i

12V 110Ah

Front Access Terminal

SBLFT 110-12i is a High Performance battery with 12 years in standby service or more than 350 cycles at 50% depth of discharge in cycle service.

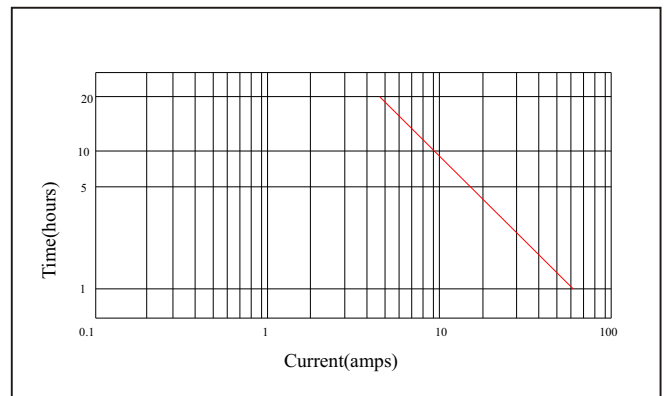
☆ SPECIFICATION

● NOMINAL VOLTAGE	: 12V
● NOMINAL CAPACITY(10 hr)	: 110Ah
● DIMENSIONS	
TOTAL HEIGHT	: 286 mm (11.26inches)
CONTAINER HEIGHT	: 286 mm (11.26inches)
LENGTH	: 394 mm (15.51 inches)
WIDTH	: 110 mm (4.33 inches)
● WEIGHT	: APPROX 33 Kg (72.76 lbs)
● CONTAINER MATERIAL	: UL94HB ABS
	: UL94V-0 ABS
● INTERNAL RESISTANCE(25°C , 77 °F)	: ~5m
● DISCHARGE CAPACITY UNDER DIFFERENT TEMPERATURES	
40°C	: ~102%
25°C	: ~100%
0 °C	: ~85%

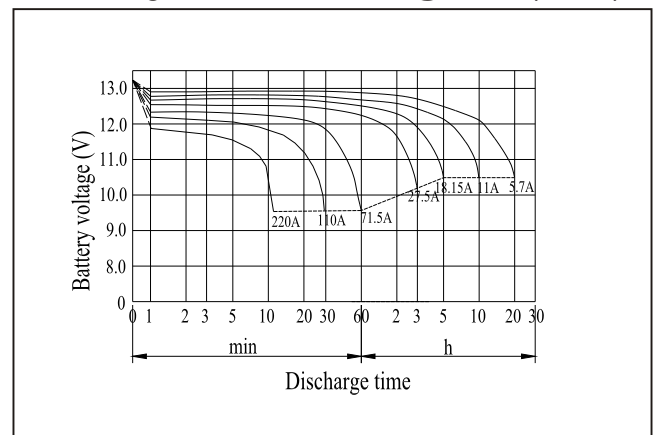
☆ CHARACTERISTICS

● CAPACITY 25°C/77°F	
10hr @ 11A	: 110 Ah
5hr @ 18.15A	: 90.75 Ah
1hr @ 71.5A	: 71.5Ah
1C @ 110A	: 55 Ah
● CAPACITY 25°C/77°F	
STANDBY USE	: 13.7V±0.15V
CYCLE USE	: 14.7V ± 0.3V
● MAX DISCHARGE CURRENT	: 880A (5sec)
● MAX CHARGING CURRENT	: 33A
● SELF-DISCHARGE RESIDUAL CAPACITY	
AFTER 3 MONTHS	: ~90%
AFTER 6 MONTHS	: ~82%
AFTER 12 MONTHS	: ~70%

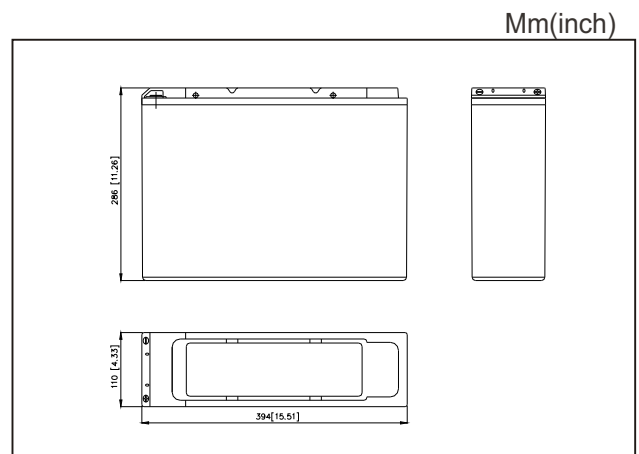
☆ Discharge Current vs Time



☆ Discharge Characteristics @25 °C (77 °F)



☆ Dimensions



☆ Terminal

