

SBL 70-12i

12V 70.0Ah

SBL70-12i is a general purpose battery with 10~12 years in standby service or more than 600 cycles at 50% depth of discharge in cycle service.

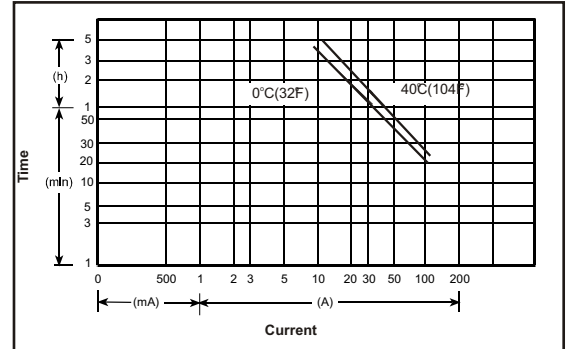
☆ SPECIFICATION

● NOMINAL VOLTAGE	: 12 V
● NOMINAL CAPACITY(20 hr)	: 70.0 Ah
● DIMENSIONS	
TOTAL HEIGHT	: 179 mm (7.05 inches)
CONTAINER HEIGHT	: 179 mm (7.05 inches)
LENGTH	: 350 mm (13.8 inches)
WIDTH	: 166 mm (6.54 inches)
● WEIGHT	: APPROX 22 Kg (49 lbs)
● CONTAINER MATERIAL	: UL94HB ABS
● INTERNAL RESISTANCE(25°C , 77 °F)	: ~5m
● DISCHARGE CAPACITY UNDER DIFFERENT TEMPERATURES	
40°C	: ~102%
25°C	: ~100%
0 °C	: ~85%

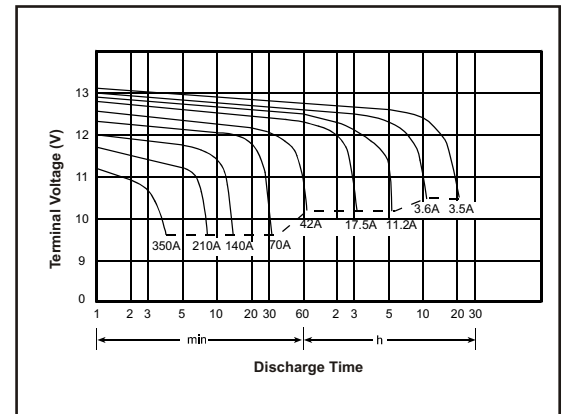
☆ CHARACTERISTICS

● CAPACITY 25°C / 77 °F	
20 hr @ 3.5 A	: 70.0 Ah
5 hr @ .11.2 A	: 56.0 Ah
1 hr @ 42 A	: 42.0 Ah
1 C @ 70 A	: 35.0 Ah
● CHARGING VOLTAGE (25°C , 77 °F)	
STANDBY USE	: 13.65V±0.15 V
CYCLE USE	: 14.7V±0.3 V
● MAX DISCHARGE CURRENT	: 525 A (5 sec)
● MAX CHARGING CURRENT	: 21 A
● SELF-DISCHARGE RESIDUAL CAPACITY(25°C , 77 °F)	
AFTER 3 MONTHS	: ~90%
AFTER 6 MONTHS	: ~82%
AFTER 12 MONTHS	: ~64%

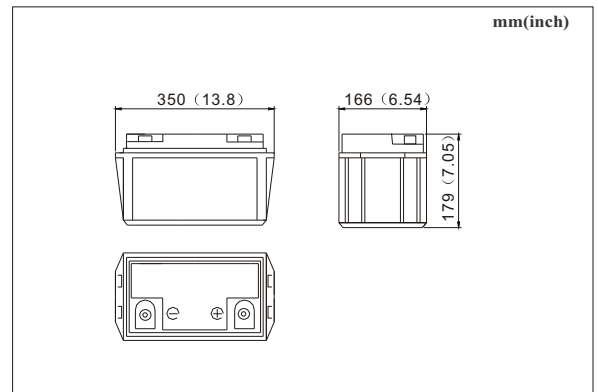
☆ Discharge Current vs Time



☆ Discharge Characteristics @25 °C (77 °C)



☆ Dimensions



☆ Terminal

