



SBL 65-12i

12V 65Ah

SBL 65-12i is a high performance battery with 10-12 years lifetime in standby service or more than 400 cycles at 50% depth of discharge in cycle service.

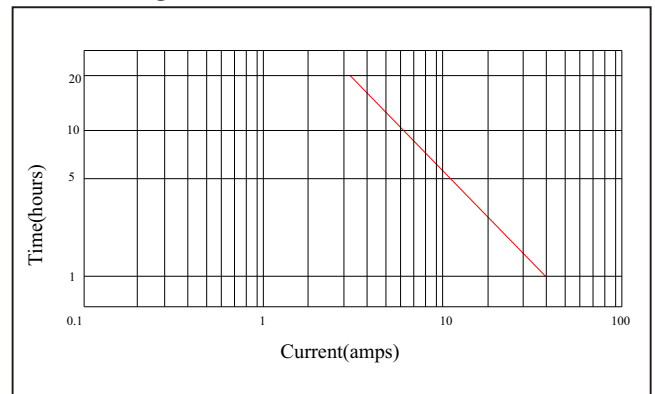
☆ SPECIFICATION

● NOMINAL VOLTAGE	: 12V
● NOMINAL CAPACITY(20 hr)	: 65Ah
● DIMENSIONS	
TOTAL HEIGHT	: 179 mm (7.05 inches)
CONTAINER HEIGHT	: 179 mm (7.05 inches)
LENGTH	: 350 mm (13.8 inches)
WIDTH	: 167 mm (6.57 inches)
● WEIGHT	: APPROX 22.2Kg (48.9 lbs)
● CONTAINER MATERIAL	: UL94HB ABS
	: UL94V-0 ABS
● INTERNAL RESISTANCE(25°C , 77 °F)	: ~6m
● DISCHARGE CAPACITY UNDER DIFFERENT TEMPERATURES	
40°C	: ~102%
25°C	: ~100%
0 °C	: ~85%

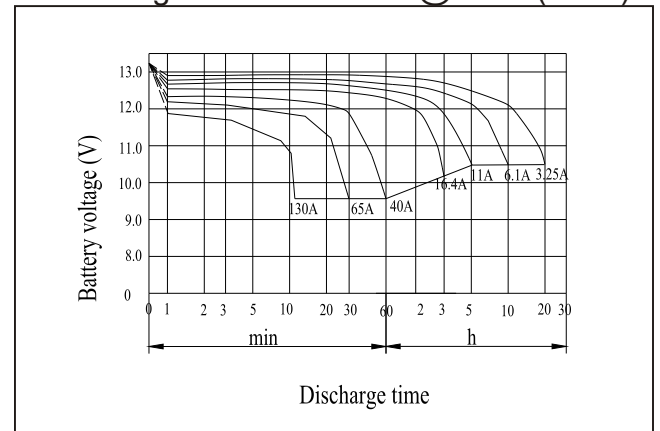
☆ CHARACTERISTICS

● CAPACITY 25°C/77°F	
20hr @ 3.25A	:65 Ah
5hr @ 11A	:55 Ah
1hr @ 40A	:40 Ah
1C @ 65A	:32.5Ah
● Charging @ 25°C/77°F	
STANDBY USE	:13.65V±0.15V
CYCLE USE	:14.7V ± 0.3V
● MAX DISCHARGE CURRENT	:650A (5sec)
● MAX CHARGING CURRENT	:19.5A
● SELF-DISCHARGE RESIDUAL CAPACITY	
AFTER 3 MONTHS	:~90%
AFTER 6 MONTHS	:~82%
AFTER 12 MONTHS	:~70%

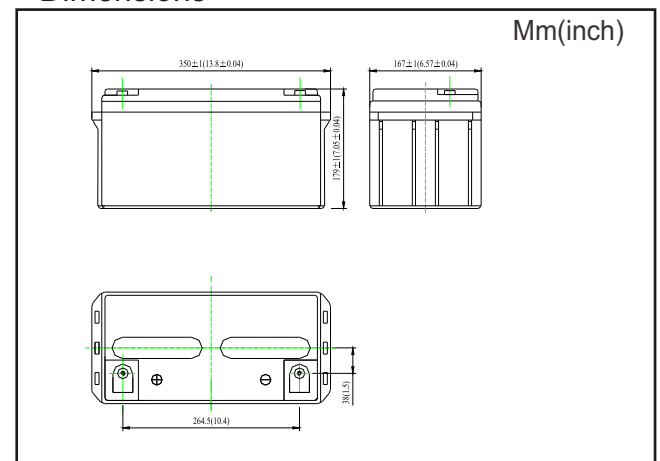
☆ Discharge Current vs Time



☆ Discharge Characteristics @25 °C (77 °F)



☆ Dimensions



☆ Terminal

