

SBL 3000-2i

2V 3000Ah

SBL 3000-2i is a High Performance battery with 10-12 years in standby service or more than 350 cycles at 50% depth of discharge in cycle service.

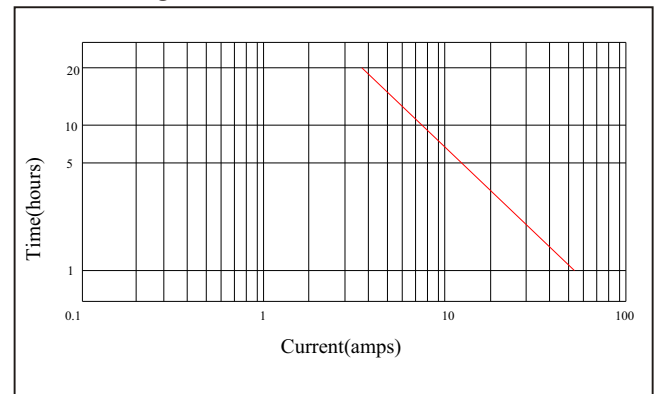
☆ SPECIFICATION

● NOMINAL VOLTAGE	: 2V
● NOMINAL CAPACITY(10 hr)	: 3000Ah
● DIMENSIONS	
TOTAL HEIGHT	: 382 mm (15.04 inches)
CONTAINER HEIGHT	: 345 mm (13.58 inches)
LENGTH	: 712 mm (28.00 inches)
WIDTH	: 353 mm (13.88 inches)
● WEIGHT	: APPROX 204Kg (449.82 lbs)
● CONTAINER MATERIAL	: UL94HB ABS
	: UL94V-0 ABS
● INTERNAL RESISTANCE(25°C , 77 °F)	: ~0.45m
● DISCHARGE CAPACITY UNDER DIFFERENT TEMPERATURES	
40°C	: ~102%
25°C	: ~100%
0 °C	: ~85%

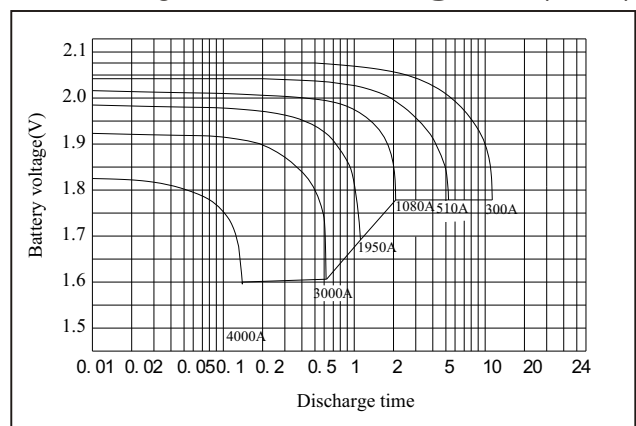
☆ CHARACTERISTICS

● CAPACITY 25°C/77°F	
10hr @ 300A	:3000 Ah
5hr @ 510A	: 2550 Ah
1hr @ 1950A	: 1950 Ah
1C @ 3000A	: 1500 Ah
● CAPACITY 25°C/77°F	
STANDBY USE	:2.25V~2.3V
CYCLE USE	:2.35V ~2.45V
● MAX DISCHARGE CURRENT	:4000A (5sec)
● MAX CHARGING CURRENT	:600A
● SELF-DISCHARGE RESIDUAL CAPACITY	
AFTER 3 MONTHS	:~90%
AFTER 6 MONTHS	:~82%
AFTER 12 MONTHS	:~70%

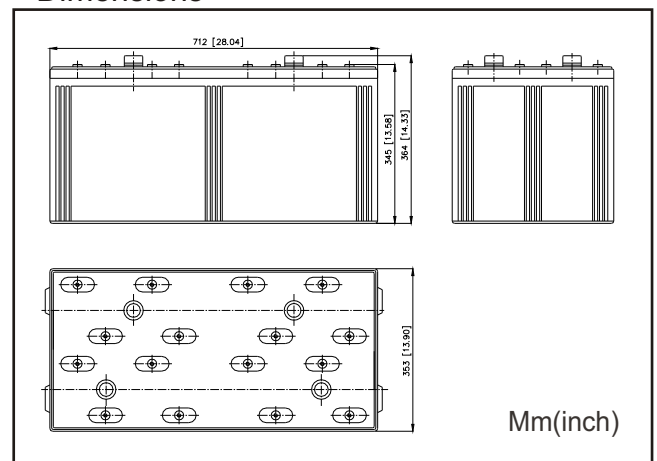
☆ Discharge Current vs Time



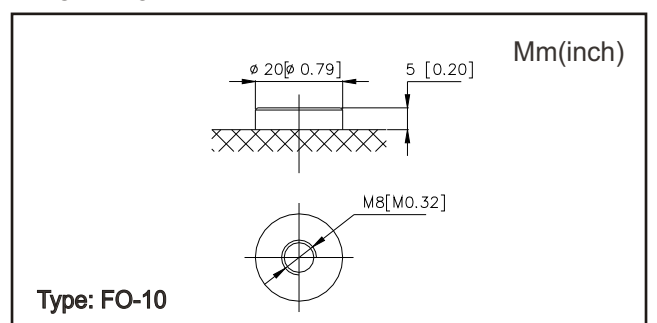
☆ Discharge Characteristics @25 °C (77 °F)



☆ Dimensions



☆ Terminal



Type: FO-10