

SBL 200-12i

12V 200 Ah

SBL 200-12i is a high performance battery with 10-12 years lifetime in standby service or more than 400 cycles at 50% depth of discharge in cycle service.

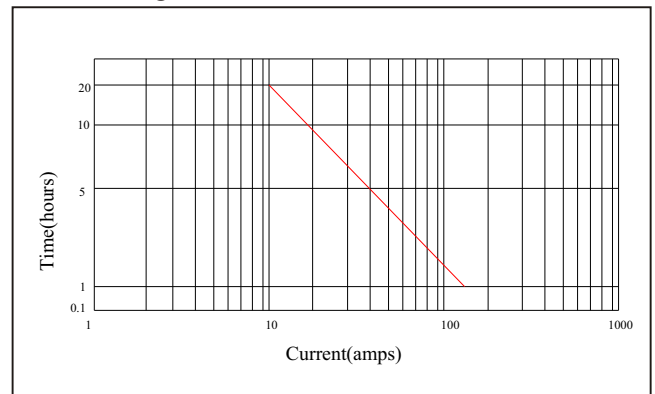
☆ SPECIFICATION

● NOMINAL VOLTAGE	: 12V
● NOMINAL CAPACITY(20 hr)	: 200Ah
● DIMENSIONS	
TOTAL HEIGHT	: 223 mm (8.78 inches)
CONTAINER HEIGHT	: 218 mm (8.58 inches)
LENGTH	: 522 mm (20.6 inches)
WIDTH	: 238 mm (9.37 inches)
● WEIGHT	: APPROX 65 Kg (171,9 lbs)
● CONTAINER MATERIAL	: UL94HB ABS
	: UL94V-0 ABS
● INTERNAL RESISTANCE(25°C , 77 °F)	: ~1.5m
● DISCHARGE CAPACITY UNDER DIFFERENT TEMPERATURES	
40°C	: ~102%
25°C	: ~100%
0 °C	: ~85%

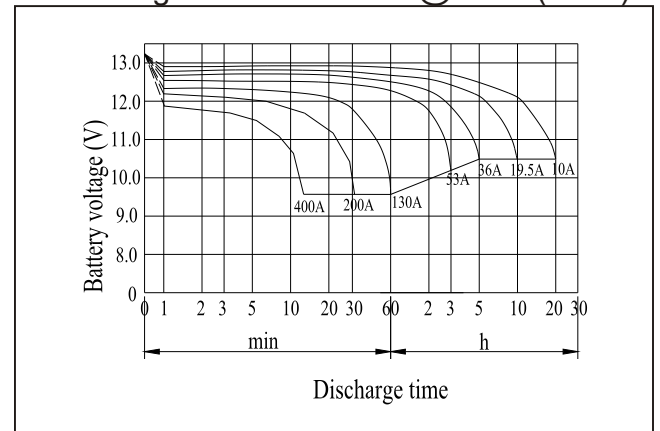
☆ CHARACTERISTICS

● CAPACITY 25°C/77°F	
20hr @ 10A	: 200 Ah
5hr @ 36A	: 180 Ah
1hr @ 130A	: 130 Ah
1C @ 200A	: 100 Ah
● CAPACITY 25°C/77°F	
STANDBY USE	:13.65V±0.15V
CYCLE USE	:14.7V ± 0.3V
● MAX DISCHARGE CURRENT	:1000A (5sec)
● MAX CHARGING CURRENT	:60A
● SELF-DISCHARGE RESIDUAL CAPACITY	
AFTER 3 MONTHS	:~90%
AFTER 6 MONTHS	:~82%
AFTER 12 MONTHS	:~70%

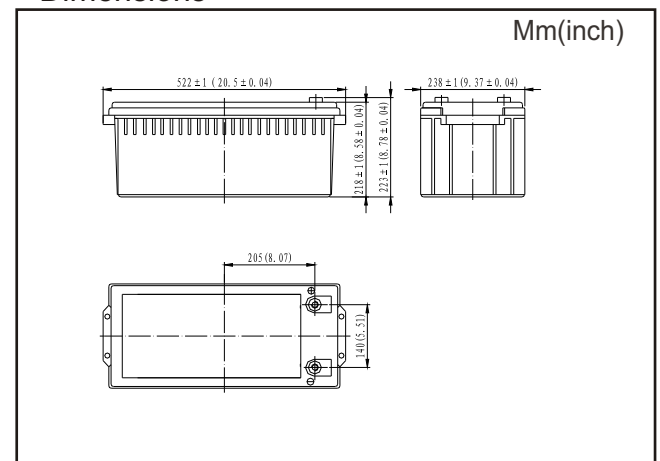
☆ Discharge Current vs Time



☆ Discharge Characteristics @25 °C (77 °F)



☆ Dimensions



☆ Terminal

