

# SBL 150-2i

## 2V 150Ah

SBL 150-2i is a High Performance battery with 10-12 years in standby service or more than 350 cycles at 50% depth of discharge in cycle service.

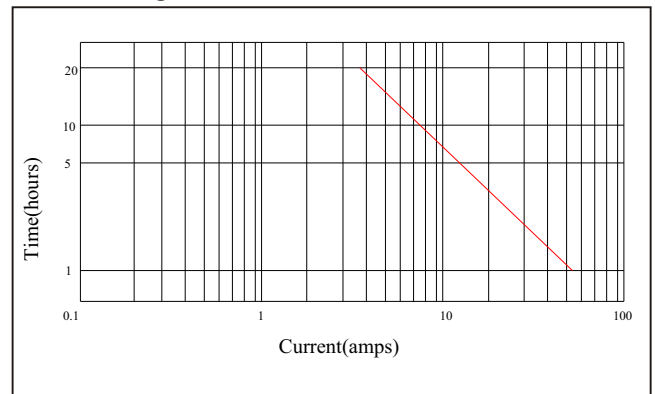
### ☆ SPECIFICATION

● NOMINAL VOLTAGE	: 2V
● NOMINAL CAPACITY(10 hr)	: 150Ah
● DIMENSIONS	
TOTAL HEIGHT	: 227 mm ( 8.9 inches )
CONTAINER HEIGHT	: 206 mm ( 8.12 inches )
LENGTH	: 171 mm ( 6.74 inches )
WIDTH	: 102 mm ( 4.02 inches )
● WEIGHT	: APPROX 8.2Kg ( 18.08 lbs )
● CONTAINER MATERIAL	: UL94HB ABS
	: UL94V-0 ABS
● INTERNAL RESISTANCE( 25°C , 77 °F )	: ~0.83m
● DISCHARGE CAPACITY UNDER DIFFERENT TEMPERATURES	
40°C	: ~102%
25°C	: ~100%
0 °C	: ~85%

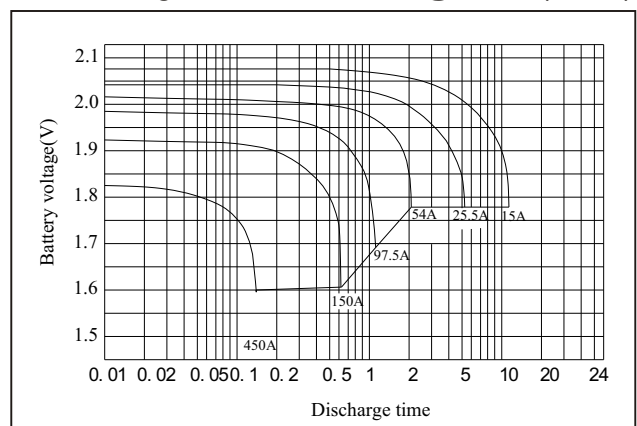
### ☆ CHARACTERISTICS

● CAPACITY 25°C/77°F	
10hr @ 15A	:150 Ah
5hr @ 25.5A	:127.5 Ah
1hr @ 97.5A	: 97.5 Ah
1C @ 150A	: 75 Ah
● CAPACITY 25°C/77°F	
STANDBY USE	:2.25V~2.3V
CYCLE USE	:2.35V ~2.45V
● MAX DISCHARGE CURRENT	:750A (5sec)
● MAX CHARGING CURRENT	:30A
● SELF-DISCHARGE RESIDUAL CAPACITY	
AFTER 3 MONTHS	:~90%
AFTER 6 MONTHS	:~82%
AFTER 12 MONTHS	:~70%

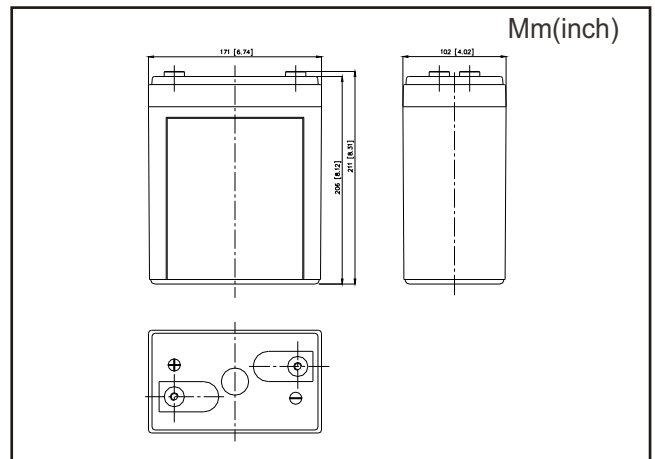
### ☆ Discharge Current vs Time



### ☆ Discharge Characteristics @25 °C (77 °F)



### ☆ Dimensions



### ☆ Terminal

