



# SBL 120-12i(sh)

## 12V120Ah

SBL 120-12i(sh) is a high performance battery with 10-12 years lifetime in standby service or more than 400 cycles at 50% depth of discharge in cycle service.

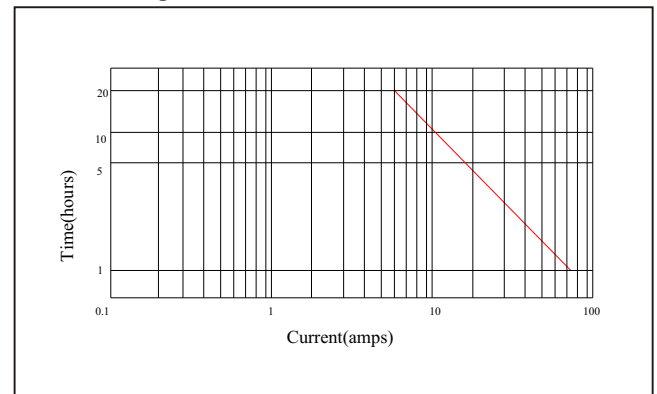
### ☆ SPECIFICATION

● NOMINAL VOLTAGE	: 12V
● NOMINAL CAPACITY(20 hr)	: 120Ah
● DIMENSIONS	
TOTAL HEIGHT	: 222 mm ( 8.74 inches )
CONTAINER HEIGHT	: 215 mm ( 8.46 inches )
LENGTH	: 330 mm ( 13.0 inches )
WIDTH	: 171 mm (6.73 inches )
● WEIGHT	: APPROX 32.5Kg ( 71.6 lbs )
● CONTAINER MATERIAL	: UL94HB ABS
	: UL94V-0 ABS
● INTERNAL RESISTANCE( 25°C , 77 °F )	: ~4.0m
● DISCHARGE CAPACITY UNDER DIFFERENT TEMPERATURES	
40°C	: ~102%
25°C	: ~100%
0 °C	: ~85%

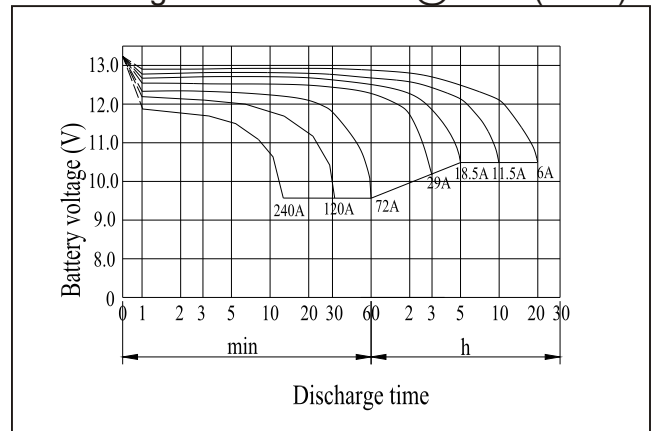
### ☆ CHARACTERISTICS

● CAPACITY 25°C/77°F	
20hr @ 6A	:120 Ah
5hr @ 18.5A	: 92.5Ah
1hr @ 72A	: 72Ah
1C @ 120A	: 60Ah
● CAPACITY 25°C/77°F	
STANDBY USE	:13.65V±0.15V
CYCLE USE	:14.7V ± 0.3V
● MAX DISCHARGE CURRENT	:950A(5sec)
● MAX CHARGING CURRENT	:36A
● SELF-DISCHARGE RESIDUAL CAPACITY	
AFTER 3 MONTHS	: ~90%
AFTER 6 MONTHS	: ~82%
AFTER 12 MONTHS	: ~70%

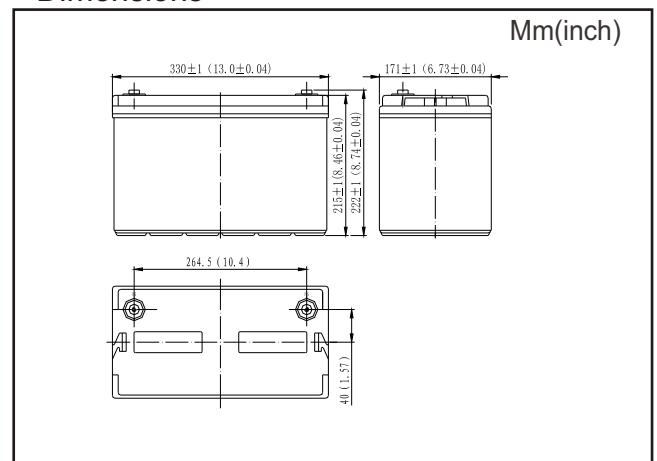
### ☆ Discharge Current vs Time



### ☆ Discharge Characteristics @25 °C ( 77 °F)



### ☆ Dimensions



### ☆ Terminal

