

# SB 7-6

## 6V 7.0Ah

SB 7-6 is a general purpose battery with 6~9 years in standby service or more than 500 cycles at 50% depth of discharge in cycle service.

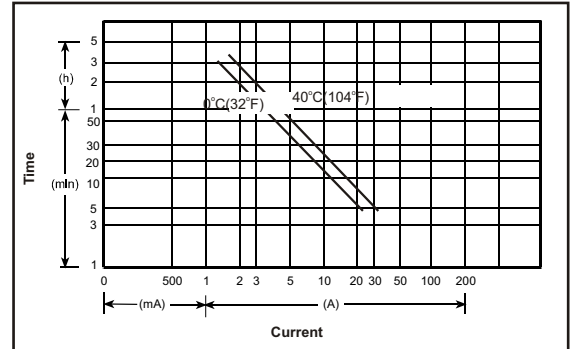
### ☆ SPECIFICATION

● NOMINAL VOLTAGE	: 6.0 V
● NOMINAL CAPACITY(20 hr)	: 7.0 Ah
● DIMENSIONS	
TOTAL HEIGHT	:100mm ( 3.94 inches )
CONTAINER HEIGHT	:94 mm ( 3.70inches )
LENGTH	:151 mm (5.94inches )
WIDTH	:34mm (1.34inches )
● WEIGHT	: APPROX 1.20 Kg (2.64lbs )
● CONTAINER MATERIAL	: UL94HB ABS
● INTERNAL RESISTANCE( 25°C , 77 °F )	: ~12m
● DISCHARGE CAPACITY UNDER DIFFERENT TEMPERATURES	
40°C	: ~102%
25°C	: ~100%
0 °C	: ~85%

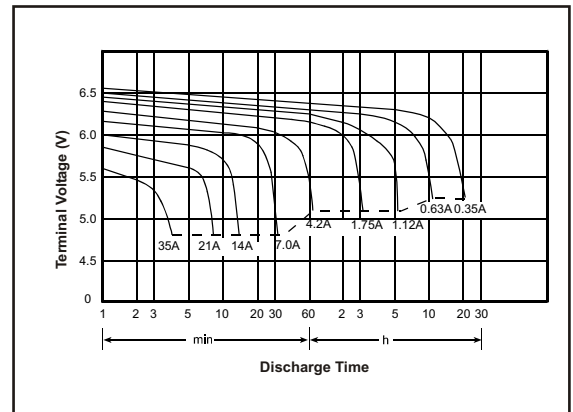
### ☆ CHARACTERISTICS

● CAPACITY 25 °C / 77 °F	
20 hr @ 0.35 A	: 7.00 Ah
5 hr @ 1.12 A	: 5.60 Ah
1 hr @ 4.20 A	: 4.20 Ah
1 C @ 7.00 A	: 3.50 Ah
● CHARGING VOLTAGE ( 25°C , 77 °F )	
STANDBY USE	: 6.75V--6.90 V
CYCLE USE	: 7.20V--7.50 V
● MAX DISCHARGE CURRENT	: 52.5 A ( 5 sec )
● MAX CHARGING CURRENT	: 2.10 A
● SELF-DISCHARGE RESIDUAL CAPACITY( 25°C , 77 °F )	
AFTER 3 MONTHS	: ~90%
AFTER 6 MONTHS	: ~82%
AFTER 12 MONTHS	: ~64%

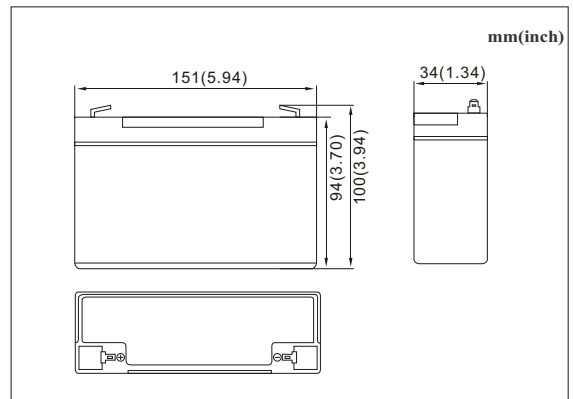
### ☆ Discharge Current vs Time



### ☆ Discharge Characteristics @25 °C (77 °C)



### ☆ Dimensions



### ☆ Terminal

