

SB 3.4-6

6V 3.4Ah

SB 3.4-6 is a general purpose battery with 6~9 years in standby service or more than 500 cycles at 50% depth of discharge in cycle service.

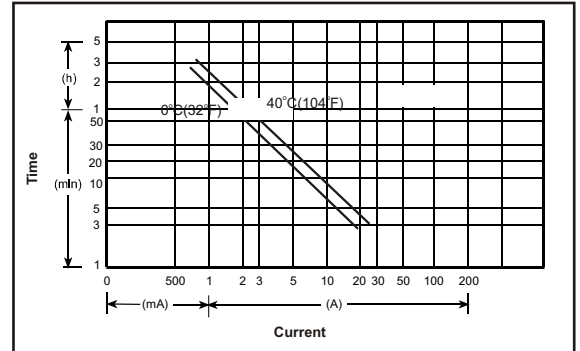
☆ SPECIFICATION

● NOMINAL VOLTAGE	: 6.0 V
● NOMINAL CAPACITY(20 hr)	: 3.4 Ah
● DIMENSIONS	
TOTAL HEIGHT	:66mm (2.60 inches)
CONTAINER HEIGHT	:60mm (2.36inches)
LENGTH	:134 mm (5.28inches)
WIDTH	:34mm (1.34inches)
● WEIGHT	: APPROX 0.64 Kg (1.40lbs)
● CONTAINER MATERIAL	: UL94HB ABS
● INTERNAL RESISTANCE(25°C , 77 °F)	: ~25m
● DISCHARGE CAPACITY UNDER DIFFERENT TEMPERATURES	
40°C	: ~102%
25°C	: ~100%
0 °C	: ~85%

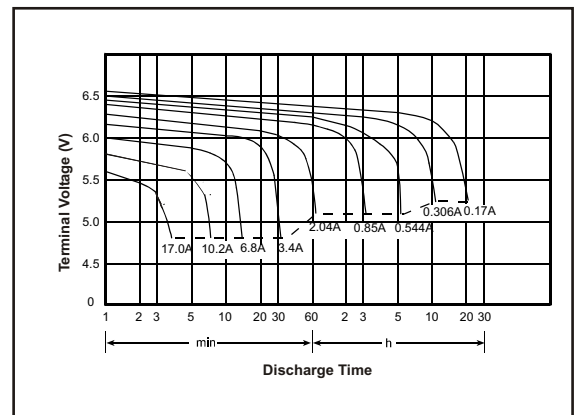
☆ CHARACTERISTICS

● CAPACITY 25 °C / 77 °F	
20 hr @ 0.17 A	: 3.40 Ah
5 hr @ 0.544 A	: 2.72 Ah
1 hr @ 2.04 A	: 2.04 Ah
1 C @ 3.40 A	: 1.70 Ah
● CHARGING VOLTAGE (25°C , 77 °F)	
STANDBY USE	: 6.75V~6.90 V
CYCLE USE	: 7.20V~7.50 V
● MAX DISCHARGE CURRENT	: 25.5 A (5 sec)
● MAX CHARGING CURRENT	: 1.02 A
● SELF-DISCHARGE RESIDUAL CAPACITY(25°C , 77 °F)	
AFTER 3 MONTHS	: ~90%
AFTER 6 MONTHS	: ~82%
AFTER 12 MONTHS	: ~64%

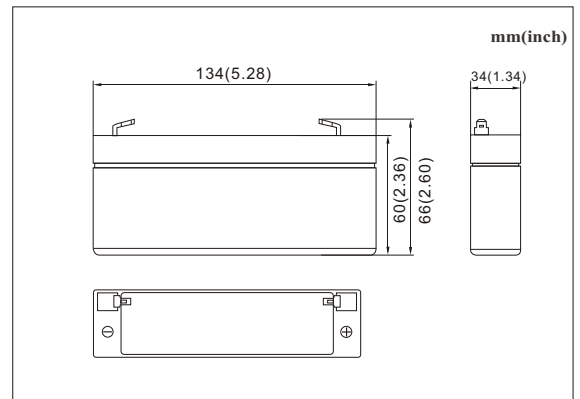
☆ Discharge Current vs Time



☆ Discharge Characteristics @25 °C (77 °C)



☆ Dimensions



☆ Terminal

