

SB 3-12R

12V 3.0Ah

SB 3-12R is a general purpose battery with 6~9 years in standby service or more than 500 cycles at 50% depth of discharge in cycle service.

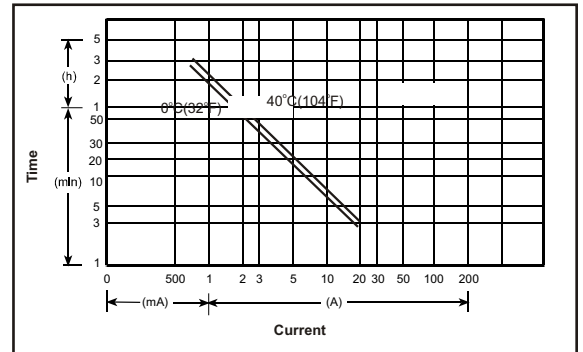
☆ SPECIFICATION

● NOMINAL VOLTAGE	: 12 V
● NOMINAL CAPACITY(20 hr)	: 3.0 Ah
● DIMENSIONS	
TOTAL HEIGHT	: 104mm (4.09 inches)
CONTAINER HEIGHT	:98 mm (3.82inches)
LENGTH	: 132 mm (5.14inches)
WIDTH	: 33mm (1.29inches)
● WEIGHT	: APPROX 1.02 Kg (2.24lbs)
● CONTAINER MATERIAL	: UL94HB ABS
● INTERNAL RESISTANCE(25°C , 77 °F)	: ~45m
● DISCHARGE CAPACITY UNDER DIFFERENT TEMPERATURES	
40°C	: ~102%
25°C	: ~100%
0 °C	: ~85%

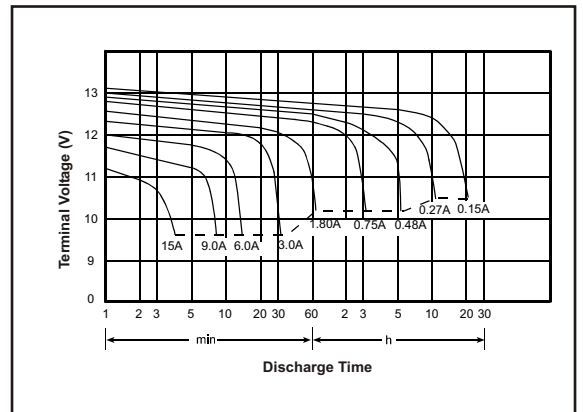
☆ CHARACTERISTICS

● CAPACITY 25 °C / 77 °F	
20 hr @ 0.15 A	: 3.00 Ah
5 hr @ .0.48 A	: 2.40 Ah
1 hr @ 1.80 A	: 1.80 Ah
1 C @3.00 A	:1.50 Ah
● CHARGING VOLTAGE (25°C , 77 °F)	
STANDBY USE	: 13.65V±0.15 V
CYCLE USE	: 14.70V±0.30 V
● MAX DISCHARGE CURRENT	: 22.5 A (5 sec)
● MAX CHARGING CURRENT	: 0.9 A
● SELF-DISCHARGE RESIDUAL CAPACITY(25°C , 77 °F)	
AFTER 3 MONTHS	: ~90%
AFTER 6 MONTHS	: ~82%
AFTER 12 MONTHS	: ~64%

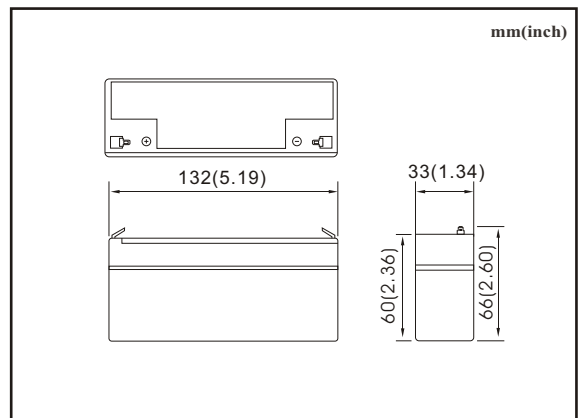
☆ Discharge Current vs Time



☆ Discharge Characteristics @25 °C (77 °C)



☆ Dimensions



☆ Terminal

