

# SB 200-12/SB 200-12i

## 12V 200.0Ah

SB 200-12/SB 200-12i is a general purpose battery with 6~9 years in standby service or more than 500 cycles at 50% depth of discharge in cycle service.

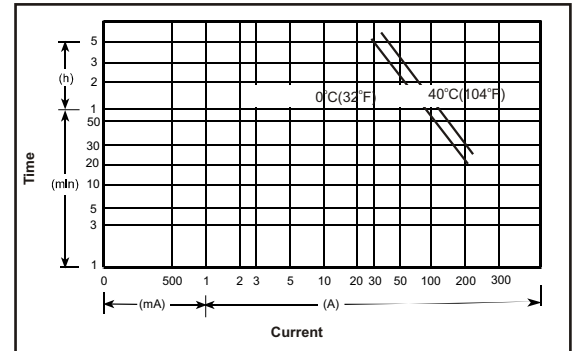
### ☆ SPECIFICATION

|   |                          |
|---|--------------------------|
| ● NOMINAL VOLTAGE                                 | : 12 V                   |
| ● NOMINAL CAPACITY(20 hr)                         | : 200.0 Ah               |
| ● DIMENSIONS                                      |                          |
| TOTAL HEIGHT                                      | : 237 mm (9.29 inches)   |
| CONTAINER HEIGHT                                  | : 216 mm 8.50 inches)    |
| LENGTH  | : 522 mm (20.6 inches)   |
| WIDTH   | : 240 mm 9.45 inches)    |
| ● WEIGHT  | : APPROX 65 Kg (143 lbs) |
| ● CONTAINER MATERIAL                              | : UL94HB ABS             |
| ● INTERNAL RESISTANCE( 25°C , 77 °F )             | : ~1.0m                  |
| ● DISCHARGE CAPACITY UNDER DIFFERENT TEMPERATURES |                          |
| 40°C  | : ~102%                  |
| 25°C  | : ~100%                  |
| 0 °C  | : ~85%                   |

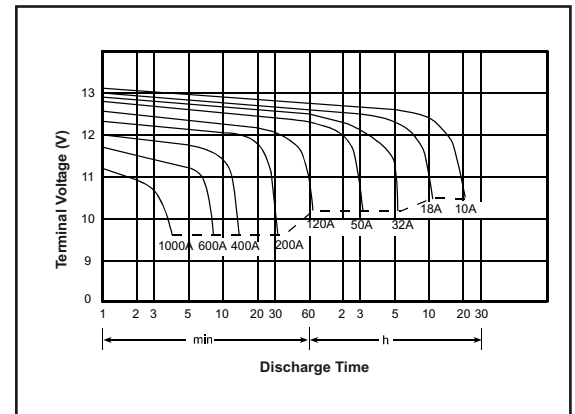
### ☆ CHARACTERISTICS

|  |                    |
|--|--------------------|
| ● CAPACITY 25 °C / 77 °F                           |                    |
| 20 hr @ 10.0 A                                     | : 200.0 Ah         |
| 5 hr @ 32.0 A                                      | : 160.0 Ah         |
| 1 hr @ 120.0 A                                     | : 120.0 Ah         |
| 1 C @ 200.0 A                                      | : 100 Ah           |
| ● CHARGING VOLTAGE ( 25°C , 77 °F )                |                    |
| STANDBY USE  | : 13.65V±0.15 V    |
| CYCLE USE  | : 14.7V±0.3 V      |
| ● MAX DISCHARGE CURRENT                            | : 1500 A ( 5 sec ) |
| ● MAX CHARGING CURRENT                             | : 600 A            |
| ● SELF-DISCHARGE RESIDUAL CAPACITY( 25°C , 77 °F ) |                    |
| AFTER 3 MONTHS                                     | : ~90%             |
| AFTER 6 MONTHS                                     | : ~82%             |
| AFTER 12 MONTHS                                    | : ~64%             |

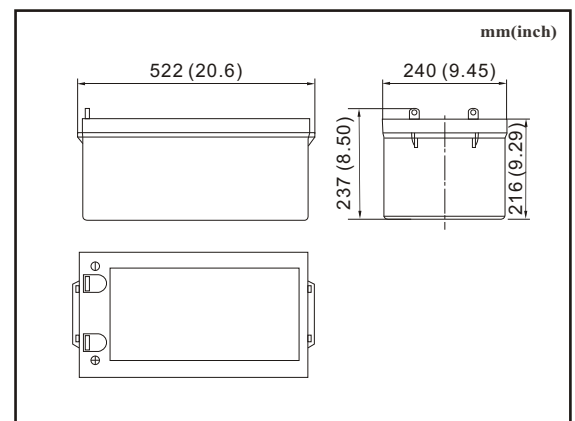
### ☆ Discharge Current vs Time



### ☆ Discharge Characteristics @25 °C (77 °C)



### ☆ Dimensions



### ☆ Terminal

