

SB 2.2-12

12V 2.2Ah

VdS: G 105086

SB 2.2-12 is a general purpose battery with 6~9 years in standby service or more than 500 cycles at 50% depth of discharge in cycle service.

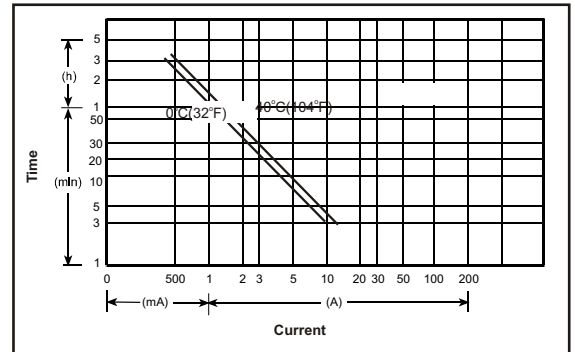
☆ SPECIFICATION

● NOMINAL VOLTAGE	: 12 V
● NOMINAL CAPACITY(20 hr)	: 2.2 Ah
● DIMENSIONS	
TOTAL HEIGHT	: 66 mm (2.60 inches)
CONTAINER HEIGHT	: 60 mm (2.36inches)
LENGTH	: 178 mm (7.01inches)
WIDTH	: 34mm (1.34inches)
● WEIGHT	: APPROX 0.96 Kg (2.11 lbs)
● CONTAINER MATERIAL	: UL94HB ABS
● INTERNAL RESISTANCE(25°C , 77 °F)	: ~50m
● DISCHARGE CAPACITY UNDER DIFFERENT TEMPERATURES	
40°C	: ~102%
25°C	: ~100%
0 °C	: ~85%

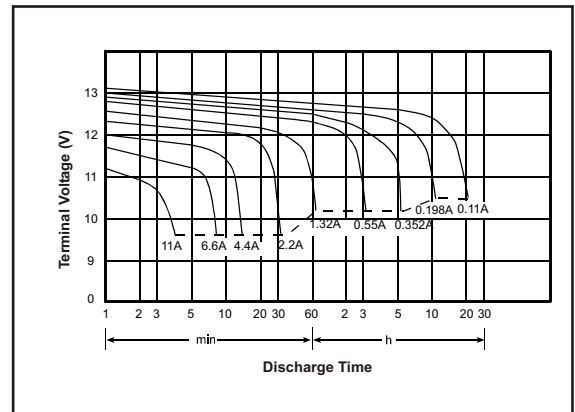
☆ CHARACTERISTICS

● CAPACITY 25 °C / 77 °F	
20 hr @ 0.11 A	:2.20 Ah
5 hr @ .0.352 A	: 1.76 Ah
1 hr @ 1.32 A	: 1.32 Ah
1 C @ 2.20 A	:1.10 Ah
● CHARGING VOLTAGE (25°C , 77 °F)	
STANDBY USE	: 13.65V±0.15 V
CYCLE USE	: 14.70V±0.30 V
● MAX DISCHARGE CURRENT	: 16.5 A (5 sec)
● MAX CHARGING CURRENT	: 0.66 A
● SELF-DISCHARGE RESIDUAL CAPACITY(25°C , 77 °F)	
AFTER 3 MONTHS	: ~90%
AFTER 6 MONTHS	: ~82%
AFTER 12 MONTHS	: ~64%

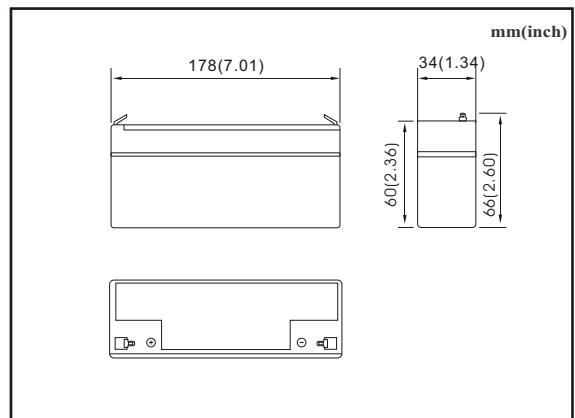
☆ Discharge Current vs Time



☆ Discharge Characteristics @25 °C (77 °C)



☆ Dimensions



☆ Terminal

