

SB 120-12/SB 120-12i

12V 120.0Ah

SB 120-12/SB 120-12i is a general purpose battery with 6~9 years in standby service or more than 500 cycles at 50% depth of discharge in cycle service.

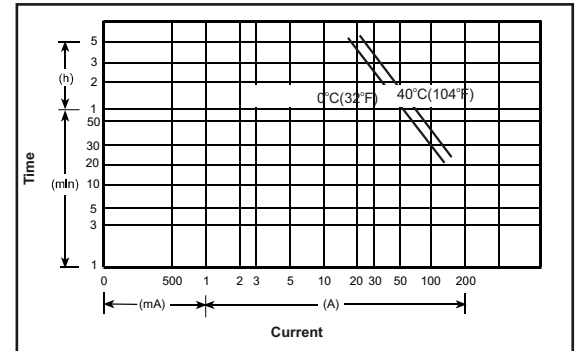
☆ SPECIFICATION

| | |
|---|--------------------------|
| ● NOMINAL VOLTAGE | : 12 V |
| ● NOMINAL CAPACITY(20 hr) | : 120.0 Ah |
| ● DIMENSIONS | |
| TOTAL HEIGHT | : 233 mm (9.17 inches) |
| CONTAINER HEIGHT | : 209 mm (8.23 inches) |
| LENGTH | : 407 mm (16.0 inches) |
| WIDTH | : 174 mm (6.85 inches) |
| ● WEIGHT | : APPROX 38 Kg (84 lbs) |
| ● CONTAINER MATERIAL | : UL94HB ABS |
| | : UL94V-0 ABS |
| ● INTERNAL RESISTANCE(25°C , 77 °F) | : ~2.5m |
| ● DISCHARGE CAPACITY UNDER DIFFERENT TEMPERATURES | |
| 40°C | : ~102% |
| 25°C | : ~100% |
| 0 °C | : ~85% |

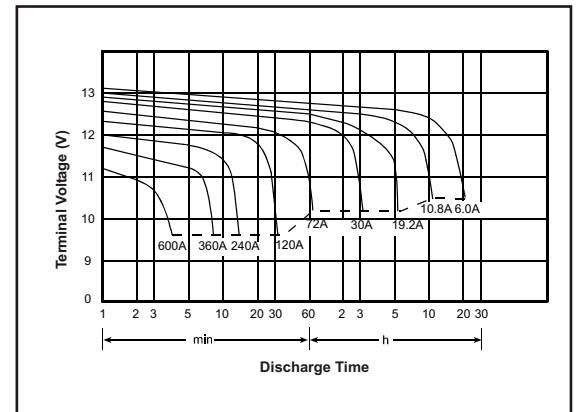
☆ CHARACTERISTICS

| | |
|--|-------------------|
| ● CAPACITY 25 °C / 77 °F | |
| 20 hr @ 6.0 A | : 120.0 Ah |
| 5 hr @ 19.2 A | : 96.0 Ah |
| 1 hr @ 72 A | : 72.0 Ah |
| 1 C @ 120 A | : 60.0 Ah |
| ● CHARGING VOLTAGE (25°C , 77 °F) | |
| STANDBY USE | : 13.65V±0.15 V |
| CYCLE USE | : 14.7V±0.3 V |
| ● MAX DISCHARGE CURRENT | : 900 A (5 sec) |
| ● MAX CHARGING CURRENT | : 36 A |
| ● SELF-DISCHARGE RESIDUAL CAPACITY(25°C , 77 °F) | |
| AFTER 3 MONTHS | : ~90% |
| AFTER 6 MONTHS | : ~82% |
| AFTER 12 MONTHS | : ~64% |

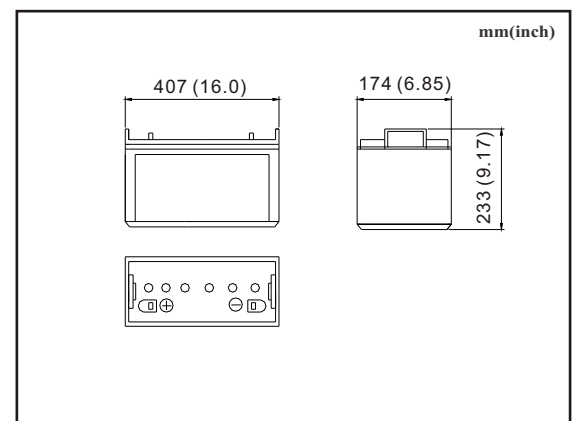
☆ Discharge Current vs Time



☆ Discharge Characteristics @25 °C (77 °C)



☆ Dimensions



☆ Terminal

