

# SB 100-12/SB 100-12i

## 12V 100.0Ah

SB 100-12/SB 100-12i is a general purpose battery with 6~9 years in standby service or more than 500 cycles at 50% depth of discharge in cycle service.

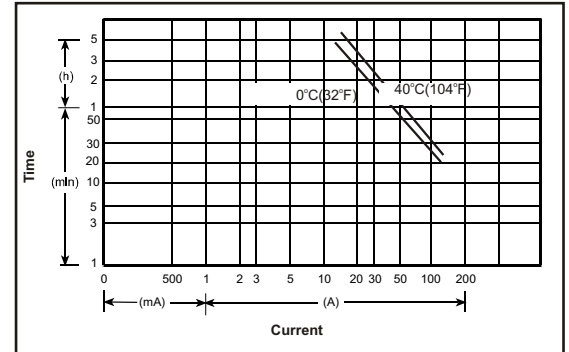
### ☆ SPECIFICATION

● NOMINAL VOLTAGE	: 12 V
● NOMINAL CAPACITY(20 hr)	: 100.0 Ah
● DIMENSIONS	
TOTAL HEIGHT	: 233 mm ( 9.17 inches )
CONTAINER HEIGHT	: 213 mm ( 8.39 inches )
LENGTH	: 331 mm (13.0 inches )
WIDTH	: 173 mm ( 6.81 inches )
● WEIGHT	: APPROX 32 Kg (70.5 lbs )
● CONTAINER MATERIAL	: UL94HB ABS
● INTERNAL RESISTANCE( 25°C , 77 °F )	: ~3m
● DISCHARGE CAPACITY UNDER DIFFERENT TEMPERATURES	
40°C	: ~102%
25°C	: ~100%
0 °C	: ~85%

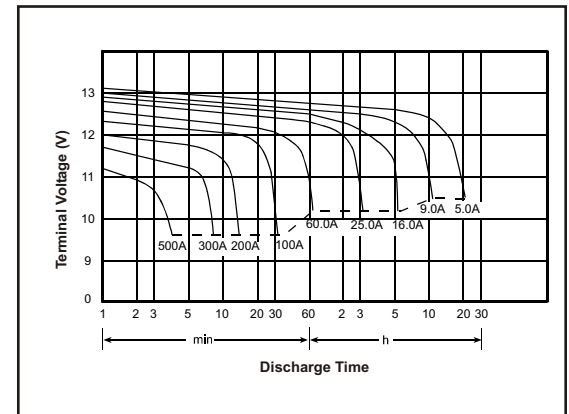
### ☆ CHARACTERISTICS

● CAPACITY 25 °C / 77 °F	
20 hr @ 5.0 A	: 100.0 Ah
5 hr @ .16.0 A	: 80.0 Ah
1 hr @ 60.0 A	: 60.0 Ah
1 C @ 100 A	: 50.0 Ah
● CHARGING VOLTAGE ( 25°C , 77 °F )	
STANDBY USE	: 13.65V±0.15 V
CYCLE USE	: 14.7V±0.3 V
● MAX DISCHARGE CURRENT	: 750 A ( 5 sec )
● MAX CHARGING CURRENT	: 30 A
● SELF-DISCHARGE RESIDUAL CAPACITY( 25°C , 77 °F )	
AFTER 3 MONTHS	: ~90%
AFTER 6 MONTHS	: ~82%
AFTER 12 MONTHS	: ~64%

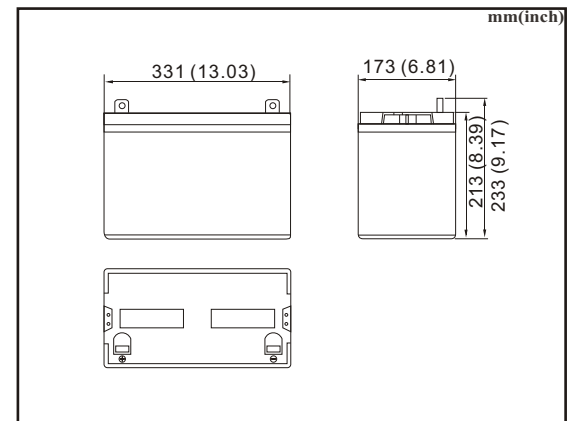
### ☆ Discharge Current vs Time



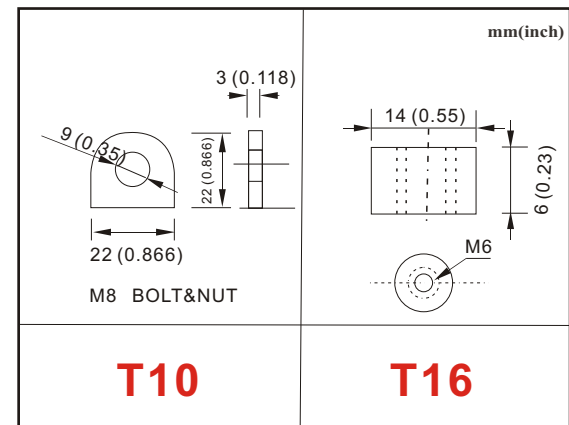
### ☆ Discharge Characteristics @25 °C (77 °C)



### ☆ Dimensions



### ☆ Terminal



**T10**

**T16**