

# SB 1.3-6

## 6V 1.3Ah

SB 1.3-6 is a general purpose battery with 6~9 years in standby service or more than 500 cycles at 50% depth of discharge in cycle service.

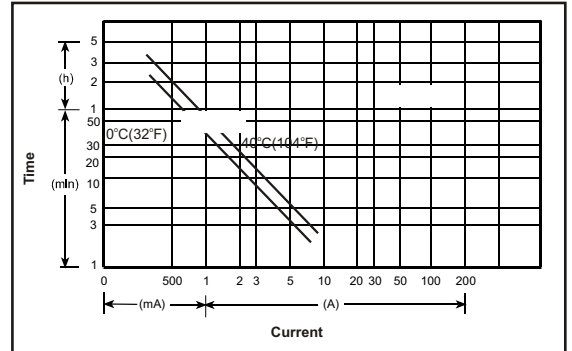
### ☆ SPECIFICATION

● NOMINAL VOLTAGE	: 6.0 V
● NOMINAL CAPACITY(20 hr)	: 1.3 Ah
● DIMENSIONS	
TOTAL HEIGHT	:56mm (2.20 inches)
CONTAINER HEIGHT	:52mm ( 2.05inches)
LENGTH	:98 mm (3.86inches)
WIDTH	:25mm (0.98inches)
● WEIGHT	: APPROX 0.30 Kg (0.66lbs)
● CONTAINER MATERIAL	: UL94HB ABS
● INTERNAL RESISTANCE( 25°C , 77 °F )	: ~37m
● DISCHARGE CAPACITY UNDER DIFFERENT TEMPERATURES	
40°C	: ~102%
25°C	: ~100%
0 °C	: ~85%

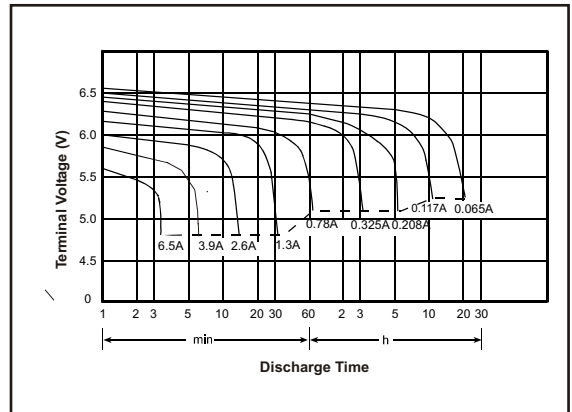
### ☆ CHARACTERISTICS

● CAPACITY 25 °C / 77 °F	
20 hr @ 0.065 A	: 1.30 Ah
5 hr @ 0.208 A	: 1.04 Ah
1 hr @ 0.78 0A	: 0.78 Ah
1 C @ 1.30 A	:0.65 Ah
● CHARGING VOLTAGE ( 25°C , 77 °F )	
STANDBY USE	: 6.75V~6.90 V
CYCLE USE	: 7.20V~7.50 V
● MAX DISCHARGE CURRENT	: 9.75 A ( 5 sec )
● MAX CHARGING CURRENT	:0.39 A
● SELF-DISCHARGE RESIDUAL CAPACITY( 25°C , 77 °F )	
AFTER 3 MONTHS	: ~90%
AFTER 6 MONTHS	: ~82%
AFTER 12 MONTHS	: ~64%

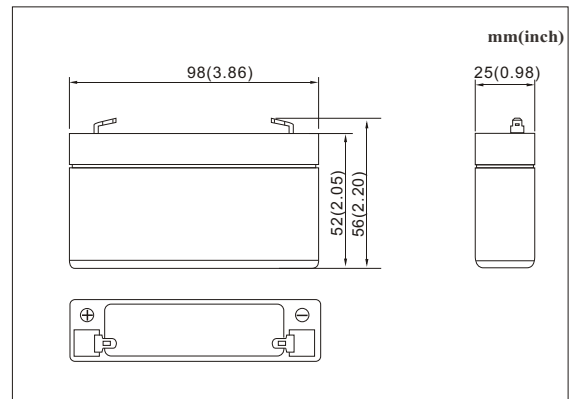
### ☆ Discharge Current vs Time



### ☆ Discharge Characteristics @25 °C (77 °C)



### ☆ Dimensions



### ☆ Terminal

